

TABLE FOR SCALE



Table for scale is offered in three dimensions, specially adjusted for Radwag weighing instruments:

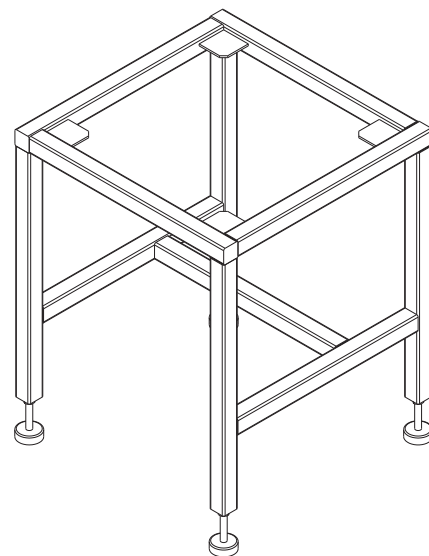
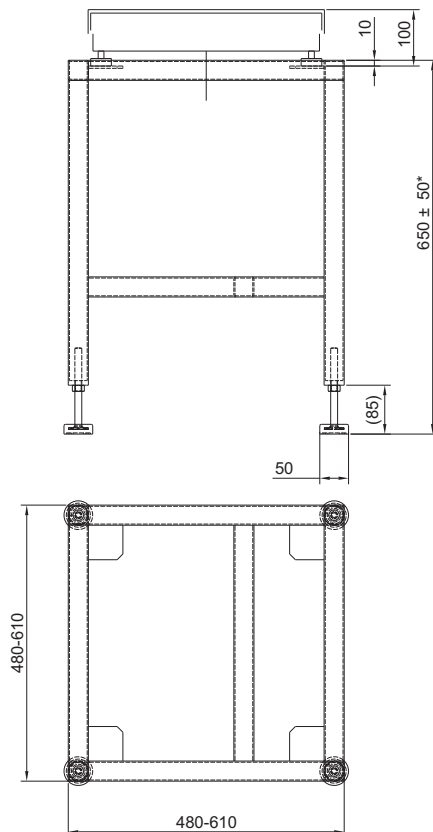
- 1) standard spacing between the feet 370×370mm, table top dimensions 410×410mm and feet with diameter 36mm
- 2) standard spacing between the feet 400×400mm table top dimensions 500×500mm and feet with diameter 36mm
- 3) standard spacing between the feet 500×500mm table top dimensions 600×600mm and feet with diameter 36mm

Basic features :

Possibility of adjusting height of the table in range +/- 50mm
By proper screwing of the table feet.

Specification:

Manufactured in stainless steel technology
Height : 650 +/-50mm



*-adjustable table height
by screwing feet