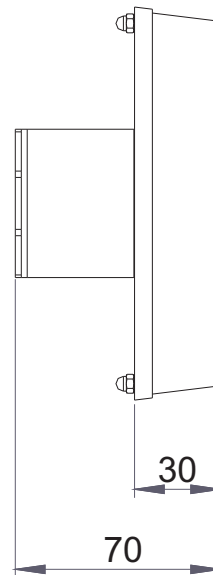
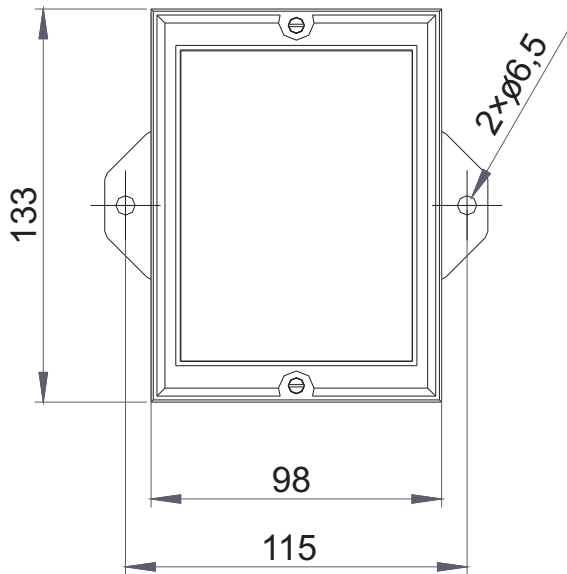
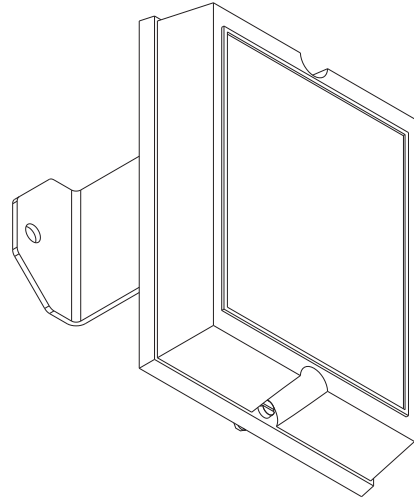


TRANSPONDER CARD READER CK-01



Applicable for fast identification and logging of operators of weighing systems or identification of vehicles on weighbridges.

The reader is designed for cooperation with weighing instruments equipped with TMC terminals.



Specification:

Type of operated cards	UNIQUE
Power supply	5V DC from weighing terminal, 9-24V AC (optional external power supply)
Working temperature	-10°C ÷ 40°C
Interface	RS232, (optional RS485)
Dimensions	98 × 133 × 30 without mounting handle

RADWAG USA L.L.C.

19599 NE 10th Ave., Bay G, • North Miami Beach, FL, 33179 • USA • Tel: 1-305-651-3522 • Fax: 1-305-651-3523 • e-mail: office@radwagusa.com • website: www.radwagusa.com