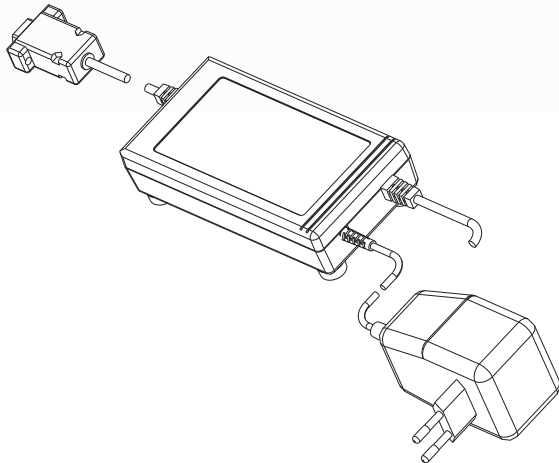
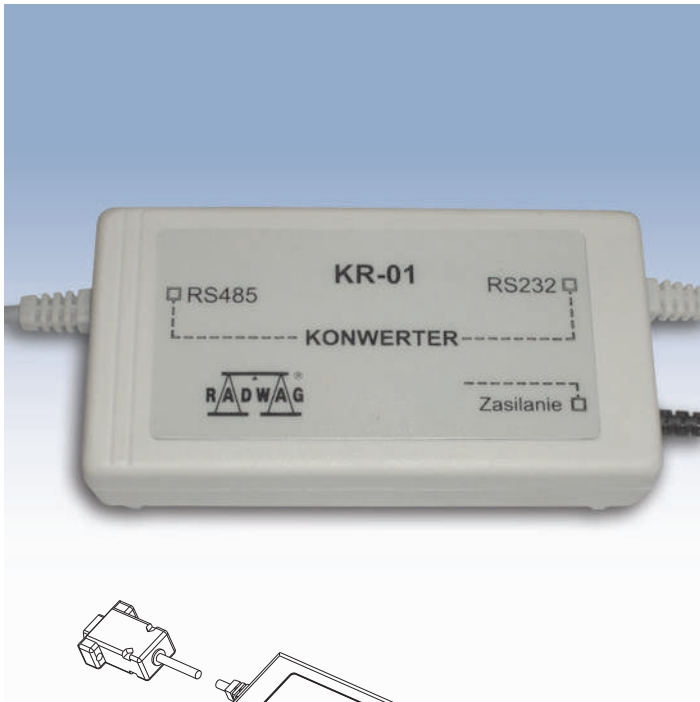


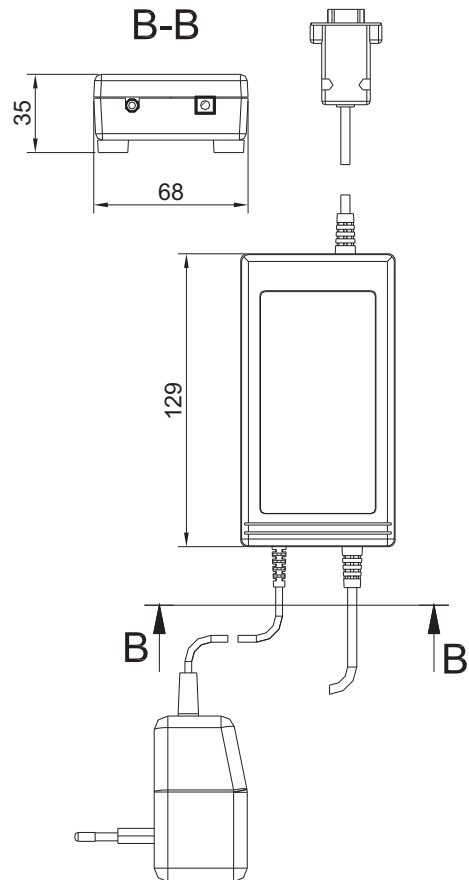
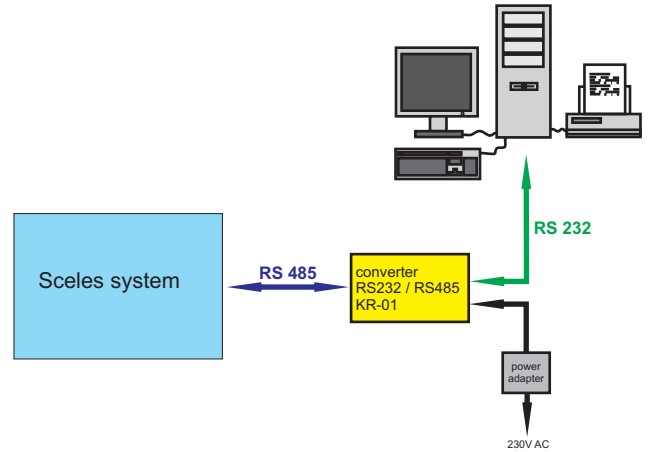
# CONVERTER RS 232/RS 485 KR-01



A device designed for mutual adjusting the signals of standards RS 232 and RS 485.

It is equipped with automatic detection of the direction in which the data is transferred. It has galvanized separation of the interfaces RS 232 and RS 485.

Applicable with weighing systems.



## Specification:

Power supply	AC 230V/120V 50Hz 25mA
Speed of transmission	9600 do 57600 byte/sec
Choice of transmission direction	automatic
Galvanized separation between the interfaces	do 1,5 kV DC
Cable RS232	1,5m with plug DB9
Cable RS485	1,5m
Working temperature	-10°C ÷ 40°C
Casing	plastic
Dimensions	68 × 129 × 35