

# CONVERTER RS 232/ETHERNET KR-04



Converter KR-04 RS232 Ethernet is designed for scales equipped with interface RS232.

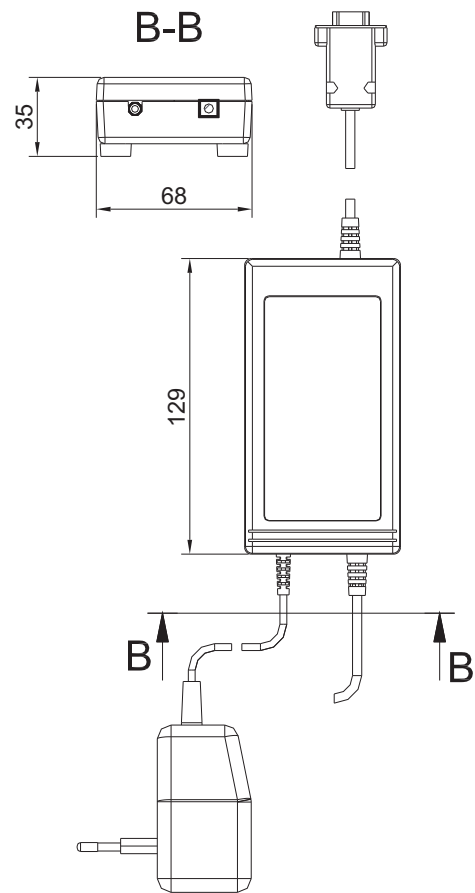
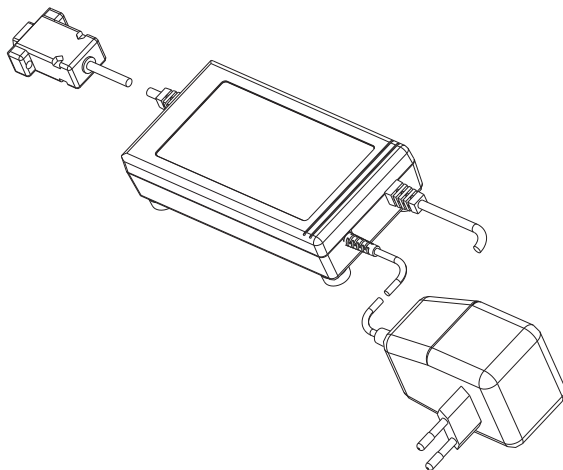
It is used for adjusting the signal to both standards RS 232 and Ethernet.

Converter is accessible in three options:

KR-04-1 : plastic casing, RS 232 cable with plug DB9F, Ethernet socket RJ45, powered from mains external power adapter 230V/11V AC

KR-04-2 : stainless steel casing, RS 232 cable with waterproof, plug, Ethernet cable let out through a choke, power supply 230V AC

KR-04-3 : stainless steel casing, RS232 cable with waterproof plug, waterproof Ethernet socket, power supply 230V AC



## Specification:

	KR-04-1	KR-04-2	KR-04-3
Casing	plastic	stainless steel	stainless steel
Ethernet output	socket RJ45	cable through choke	hermetic socket**
Applicable with scales*	scales with DB9 output	PUE C31/H, PUE C31/H/Z	PUE C31/H, PUE C31/H/Z
Communication with indicator, scale	RS232		
RS 232 speed	from 50 bps to 115.2 Kbps		
Ethernet standard	10/100 Mbps, (1,5 KV magnetic isolation)		
Power supply	ext. power adapter 230V/120V/11V	230V/120V AC 50Hz	230V/120V AC 50Hz
Working temperature	0° - 40° C		

\*) specify type of scale (measuring indicator) when placing an order

\*\*) cable model P0198 required for Ethernet is not part of converter equipment