



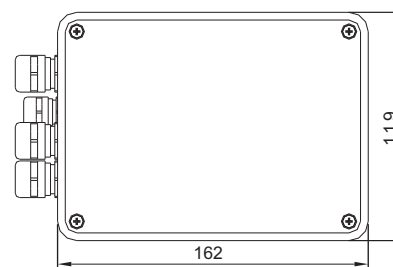
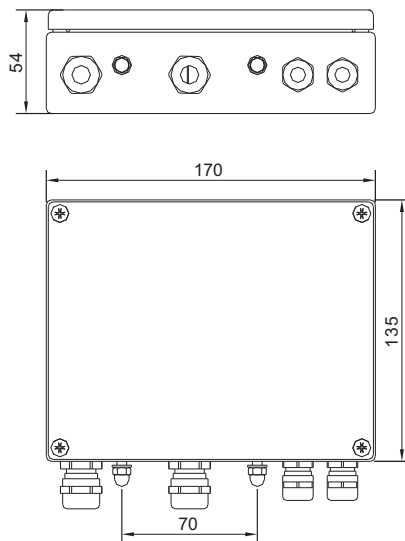
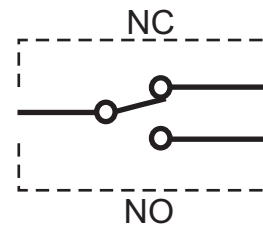
In /Out module PP-01 is designed for changing the transistor outputs into relay outputs in order to increase their maximal resistance.

In/Out module is equipped with three relay outputs, and it is powered from independent power source 230V AC. It has also power output +5VDC. Additionally, module allows for powering three control buttons and connection of signalization diodes for the relay activation.

The device is manufactured in two casings:

- PP-01-1 : plastic casing IP 55
- PP-01-2 : stainless steel casing IP 67

SCHEMA OF SINGLE RELAY OUTPUT



Specification:

	PP-01-1	PP-01-2
Power supply		230V/120V AC 20mA
Quantity of relay outputs		3
Maximal current on replay contacts		3A/250V AC
Maximal current if output +5V DC		200mA
Working temperature		-10°C ÷ 40°C
Casing	plastic	stainless steel
Dimensions	170 × 54 × 135 *	162 × 72 × 119 *
IP rating	IP 55	IP 67

* dimensions do not include the cable chokes and handle for mountinga