

ANALYTICAL BALANCES XA/Y

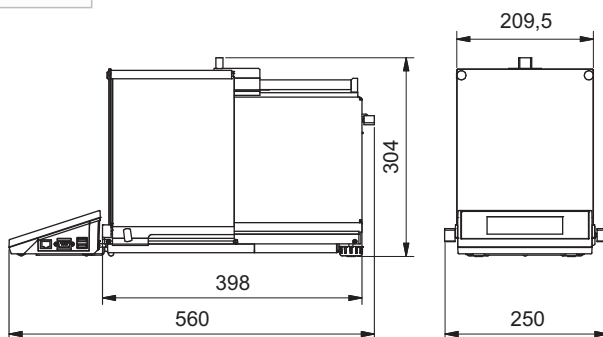


Analytical balances of XA/Y type has been designed on the basis of new electronic modules and u-to-date technology.

Measurement reliability and accuracy is assured by internal calibration triggered by time flow or temperature conditions.

Balances are equipped with spacious weighing chamber with automatically opened side glass doors. Balances are operated by using a touch panel covering a 5.7" colour graphic display. Y scales have implemented new easily operated software!

- Counting pieces
- Filling
- Animal weighing
- Density determination
- Checkweighing
- Percentage
- Statistics
- Formulation
- Air buoyancy correction
- Pipette calibration
- GLP procedures
- Infrared sensors



Electronic level indicator

- ALARM function
- graphic level indicator
- programmable acceptable tilts



Infrared proximity sensors

- PRINT function
- TARE function
- opening weighing chambers
- sensors' sensitivity adjustment



Technical data:

	XA 52/Y	XA 110/Y	XA 60/220/Y	XA 100/Y	XA 160/Y	XA 220/Y	XA 310/Y
Max capacity	52 g	100 g	60/220 g	100 g	160 g	220 g	310 g
Minimal load	1 mg	1 mg	1 mg	10 mg	10 mg	10 mg	10 mg
Readability	0,01 mg	0,01 mg	0,01/0,1 mg	0,1 mg	0,1 mg	0,1 mg	0,1 mg
Tare range	-52 g	-100 g	-220 g	-100 g	-160 g	-220 g	-310 g
Working temperature	+10° - +50°C						
Repeatability	0,01 mg	0,025 mg	0,02/0,1 mg	0,1 mg	0,1 mg	0,1 mg	0,2 mg
Linearity	±0,02 mg	±0,05 mg	±0,05/0,2 mg	±0,2 mg	±0,2 mg	±0,2 mg	±0,3 mg
Sensitivity drift	2 ppm/°C in temperature +18 ° - +30 °C						
Stabilization time	5 s	5 s	5 s / 3 s	3 s	3 s	3 s	3 s
Power supply	230V / 11V AC or 120V / 11V AC						
Calibration	internal (automatic)						
Pan size	ø 85 mm	ø 85 mm	ø 85 mm	ø 100 mm	ø 100 mm	ø 100 mm	ø 100 mm

Additional equipment:

Anti-vibration table (mild steel or stainless steel)	Foot button for tare or print functions
Printer Kafka, Epson	Additional LCD display
Density kit for solids and liquids	External rechargeable battery with charger
PC KEYBOARD	Computer software: PW-WIN 2004, RAD-KEY 2000, Pipettes

RADWAG USA L.L.C.

19599 NE 10th Ave., Bay G, • North Miami Beach, FL, 33179 • USA • Tel: 1-305-651-3522 • Fax: 1-305-651-3523 • e-mail: office@radwagusa.com • website: www.radwagusa.com

ANALYTICAL BALANCES AS



Balances series AS represent standard level of analytical balances. They are equipped with backlit LCD display. Accuracy and precise measurement of the balances are determined by internal calibration, dependant on time and temperature changes.

Analytical balances AS series are offered with following capacities: 110, 160, 220, 310 g with readability of 0,1 mg and 60/220 with readability 0,1/0,01 mg and 100 g with readability 0,01 mg.

GLP procedure of these balances is a report from calibration process of the balance, and this information has unchangeable shape (no modification possible). User has access to big measuring chamber with sliding doors and sliding top glass. Each balance is equipped with RS 232 output and possibility of connection of additional display as standard.

Balances have possibility of weighing loads under the weighing pan, i.e. under-hook weighing. In such case the mass of load is measured under the pan. It is an alternative for loads with non-standard dimensions, shapes and loads which create magnetic field. Under-hook weighing is also applied for density determination of materials.



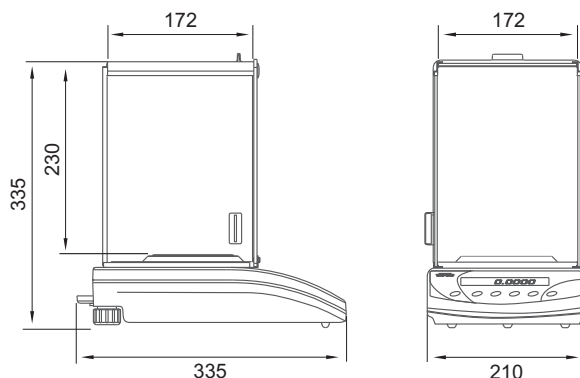
Counting pieces



Density determination



Percentage



Technical data:

	AS 60/C/2	AS 60/220/C/2	AS 110/C/2	AS 160/C/2	AS 220/C/2	AS 310/C/2 *
Max capacity	60 g	60 g/220 g	110 g	160 g	220 g	310 g
Minimal load	1 mg	1 mg	10 mg	10 mg	10 mg	10 mg
Readability	0,01 mg	0,01 mg/0,1 mg	0,1 mg	0,1 mg	0,1 mg	0,1 mg
Tare range	-60 g	-220 g	-110 g	-160 g	-220 g	-310 g
Working temperature	+10° - +45°C					
Repeatability	0,02 mg	0,02/0,1 mg	0,1 mg	0,1 mg	0,1 mg	0,2 mg
Linearity	± 0,05 mg	± 0,05/0,2 mg	± 0,2 mg	± 0,2 mg	± 0,2 mg	± 0,3 mg
Stabilization time	6 s	6 s / 3,5 s	3,5 s	3,5 s	3,5 s	3,5 s
Sensitivity drift	2 ppm/°C in temperature +15° - +35°C					
Power supply	230V / 11V AC or 120V / 11V AC					
Calibration	internal (automatic)					
Pan size	ø 85 mm					

* non-verified balance

Additional equipment:

ANTI-VIBRATION TABLE (MILD STEEL OR STAINLESS STEEL)	RACK FOR UNDER-HOOK WEIGHING
PRINTERS: KAFKA 1, KAFKA 1Z, KAFKA SQ	ADDITIONAL LCD DISPLAY
PRINTER EPSON: TM-U220D, TM-U220B, TM-U220A	EXTERNAL RECHARGEABLE BATTERY WITH CHARGER
DENSITY KIT FOR SOLIDS AND LIQUIDS	COMPUTER SOFTWARE: PW-WIN 2005, RAD-KEY 2000, REC-FS 2000

RADWAG USA L.L.C.

19599 NE 10th Ave., Bay G, • North Miami Beach, FL, 33179 • USA • Tel: 1-305-651-3522 • Fax: 1-305-651-3523 • e-mail: office@radwagusa.com • website: www.radwagusa.com

ANALYTICAL BALANCES AS/X



Balances series AS/X represent standard level of analytical balances. They are equipped with backlit graphic display. Accuracy and precise measurement of the balances are determined by automatic internal calibration, dependant on time and temperature changes.

Analytical balances AS/X series are offered with following capacities: 110, 160, 220, 310 g with readability of 0,1 mg, 60 g with readability of 0,01 mg and 60/220 g with readability of 0,01/0,1 mg.

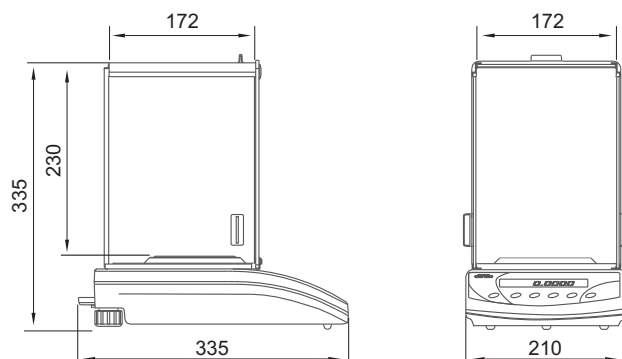
AS/X balances are equipped with optional pipette calibration as well as automatic door opening system.

GLP procedure of these balances is a report from calibration process of the balance, and this information has unchangeable shape (no modification possible).

User has access to big measuring chamber with sliding doors and sliding top glass. Each balance is equipped with RS 232 output and possibility of connection of additional display as standard.

Balances are equipped with possibility of weighing loads outside the main weighing platform (so called under hook weighing). This means of mass measuring is an alternative for loads with non-standard dimensions and shapes and those which create magnetic field. Under hook weighing is also applied for density determination procedures.

- Counting pieces
- Filling
- Animal weighing
- Density determination
- Checkweighing
- Percentage
- Statistics
- Formulation
- Air buoyancy correction
- GLP procedures
- Under-hook weighing



Technical data:

	AS 110/X	AS 160/X	AS 220/X	AS 310/X
Max capacity	110 g	160 g	220 g	310 g
Minimal load	10 mg	10 mg	10 mg	10 mg
Readability	0,1 mg	0,1 mg	0,1 mg	0,1 mg
Tare range	-110 g	-160 g	-220 g	-310 g
Working temperature	+10° - +45°C			
Stabilization time	3,5 s			
Repeatability	0,1 mg	0,1 mg	0,1 mg	0,2 mg
Linearity	± 0,2 mg	± 0,2 mg	± 0,2 mg	± 0,3 mg
Sensitivity drift	2 ppm/°C in temperature +15° - +35°C			
Power supply	230V / 11V AC or 120V / 11V AC			
Calibration	internal (automatic)			
Pan size	ø 85 mm	ø 85 mm	ø 85 mm	ø 85 mm

Additional equipment:

ANTI-VIBRATION TABLE (MILD STEEL OR STAINLESS STEEL)	RACK FOR UNDER-HOOK WEIGHING
PRINTERS: KAFKA 1, KAFKA 1Z, KAFKA SQ	ADDITIONAL LCD DISPLAY
PRINTER EPSON: TM-U220D, TM-U220B, TM-U220A	EXTERNAL RECHARGEABLE BATTERY WITH CHARGER
DENSITY KIT FOR SOLIDS AND LIQUIDS	COMPUTER SOFTWARE: PW-WIN 2005, RAD-KEY 2000, REC-FS 2000

RADWAG USA L.L.C.

19599 NE 10th Ave., Bay G, • North Miami Beach, FL, 33179 • USA • Tel: 1-305-651-3522 • Fax: 1-305-651-3523 • e-mail: office@radwagusa.com • website: www.radwagusa.com

ANALYTICAL BALANCES XA/X



XA/X series- professional level analytical balances

XA/X balances are equipped with big backlit graphic display with extended menu, 12-keys membrane keyboard, big weighing chamber with sliding upper glass door and side glass door.

Balance accuracy is guaranteed by automatic internal calibration dependant on time and temperature changes.

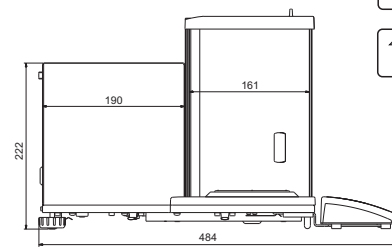
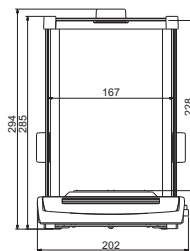
Balances have possibility of disconnecting the head from weighing chamber.

This solution considerably reduces vibrations transferred to weighing chamber and decreases dimensions of device.

XA/X balances enable to generate GLP procedures, these balances have RS 232 socket, PS/2, possibility of connecting additional display and possibility of weighing loads outside the main weighing platform (so called under-hook weighing).

- ✓ **New electronics and technological solutions!**
- ✓ **New intuitive operation and user friendly software of balances!**

- Counting pieces
- Filling
- Animal weighing
- Density determination
- Checkweighing
- Percentage
- Statistics
- Formulation
- Air buoyancy correction
- Pipette calibration
- GLP procedures
- Under-hook weighing



Technical data:

	XA 52/X	XA 110/X	XA 210/X	XA 60/220/X	XA 100/X	XA 160/X	XA 220/X	XA 310/X
Max capacity	52 g	100 g	210 g	60/220 g	100 g	160 g	220 g	310 g
Minimal load	1 mg	1 mg	1 mg	1 mg	10 mg	10 mg	10 mg	10 mg
Readability	0,01 mg	0,01 mg	0,01 mg	0,01/0,1 mg	0,1 mg	0,1 mg	0,1 mg	0,1 mg
Tare range	-52 g	-100 g	-210 g	-220 g	-100 g	-160 g	-220 g	-310 g
Working temperature	+10° - +50°C							
Repeatability	0,01 mg	0,025 mg	0,03 mg	0,02/0,1 mg	0,1 mg	0,1 mg	0,1 mg	0,2 mg
Linearity	±0,02 mg	±0,05 mg	±0,1 mg	±0,05/0,2 mg	±0,2 mg	±0,2 mg	±0,2 mg	±0,3 mg
Sensitivity drift	2 ppm/°C in temperature +18° - +30 °C							
Stabilization time	5 s	5 s	5 s	5 s / 3 s	3 s	3 s	3 s	3 s
Power supply	230V / 11V AC or 120V / 11V AC							
Calibration	internal (automatic)							
Pan size	ø 85 mm	ø 85 mm	ø 85 mm	ø 85 mm	ø 100 mm	ø 100 mm	ø 100 mm	ø 100 mm

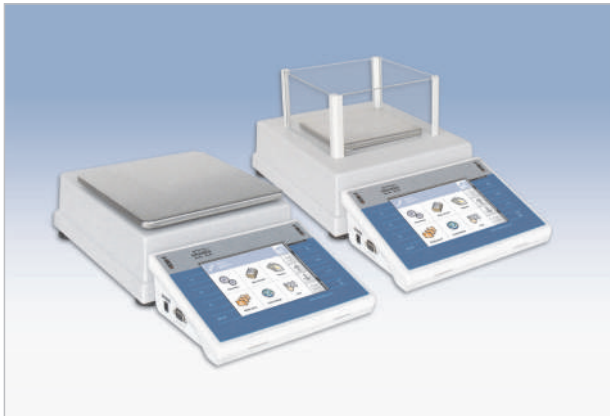
Additional equipment:

ANTI-VIBRATION TABLE (MILD STEEL OR STAINLESS STEEL)	FOOT BUTTON FOR TARE OR PRINT FUNCTIONS
PRINTER KAFKA	ADDITIONAL LCD DISPLAY
PRINTER EPSON	EXTERNAL RECHARGEABLE BATTERY WITH CHARGER
DENSITY KIT FOR SOLIDS AND LIQUIDS	COMPUTER SOFTWARE: PW-WIN 2004, RAD-KEY 2000, PIPETTES
PC KEYBOARD	

RADWAG USA L.L.C.

19599 NE 10th Ave., Bay G, • North Miami Beach, FL, 33179 • USA • Tel: 1-305-651-3522 • Fax: 1-305-651-3523 • e-mail: office@radwagusa.com • website: www.radwagusa.com

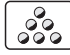




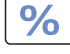


PRECISION BALANCES PS/Y

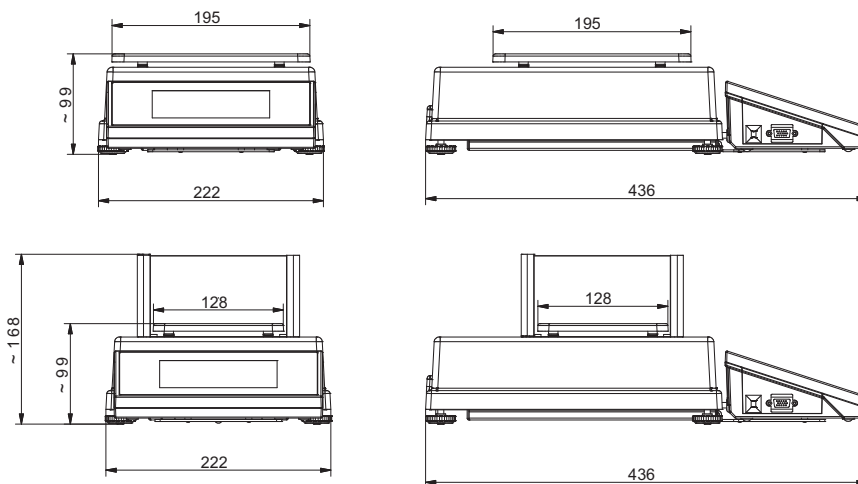


Precise balances of PS/Y are the response for the growing market demands concerning simple operation and maximum automation of the weighing process.

Measurement reliability and accuracy is assured by internal calibration triggered by time flow or temperature conditions.

Balances equipped in a new electronic modules and are operated using a touch panel covering a 5.7" colour graphic display. Y scales have implemented new easily operated software.

-  Counting pieces
-  Filling
-  Animal weighing
-  Density determination
-  Checkweighing
-  Percentage
-  Statistics
-  Formulation



Technical data:

	PS 200/2000/Y	PS 250/Y	PS 450/Y	PS 750/Y	PS 1000/Y	PS 1500/Y	PS 2500/Y	PS 4500/Y	PS 6000/Y	PS 8000/Y**
Max capacity	200/2000 g	250 g	450 g	750 g	1000 g	1500 g	2500 g	4500 g	6000 g	8000 g
Minimal load	20 mg	20 mg	20 mg	20 mg	20 mg	500 mg	500 mg	500 mg	500 mg	500 mg
Readability	1/10 mg	1 mg	1 mg	1 mg	1 mg	10 mg	10 mg	10 mg	10 mg	10 mg
Tare range	-2000 g	-250 g	-450 g	-750 g	-1000 g	-1500 g	-2500 g	-4500 g	-6000 g	-8000 g
Linearity	±2/10 mg	±2 mg	±2 mg	±3 mg	±3 mg	±20 mg	±20 mg	±20 mg	±30 mg	15 mg
Repeatability	1/10 mg	1 mg	1 mg	1,5 mg	1,5 mg	10 mg	10 mg	10 mg	15 mg	±20 mg
Pan size	128×128 mm					195×195 mm				
Stabilization time	2 s / 1,5 s	2 s	2 s	2 s	2 s	1,5 s	1,5 s	1,5 s	1,5 s	1,5 s
Sensitivity drift	2 ppm/°C in temperature +18 - +30 °C									
Working temperature	+15 - +30 °C									
Power supply	230V / 11V AC or 120V / 11V AC									
Net weight/Gross weight	5/7,1 kg	4,1/6 kg	4,4/6,3 kg	4,4/6,3 kg	4,4/6,3 kg	5/7,1 kg	5/7,1 kg	5/7,1 kg	5/7,1 kg	3,4/5,3 kg
Packaging size	570×325×225 mm									

** external calibration

Additional equipment:

Anti-vibration table	Foot button for tare or print functions
"Kafka" thermal printer	Rack for under hook weighing
Needle printer "Epson"	LCD additional display
Citizen label printer	External rechargeable battery pack
Density determination kit for solids and liquids	Suitcase for balance
PC keyboard	Computer software: PW-WIN, RAD-KEY

RADWAG USA L.L.C.

19599 NE 10th Ave., Bay G, • North Miami Beach, FL, 33179 • USA • Tel: 1-305-651-3522 • Fax: 1-305-651-3523 • e-mail: office@radwagusa.com • website: www.radwagusa.com