

JEWELLERY BALANCES PS



Jewellery balances series PS are equipped with backlit LCD display and weighing pan 128×128 mm with glass draught shield and readability 1 mg. Second group of jewellery balances has weighing pan 195×195 mm and readability 10 mg.

GLP procedure of these balances is a report from calibration process of the balance, and this information has unchangeable shape. Each balance is equipped with RS 232 output.

Balances are equipped with possibility of weighing loads outside the main weighing platform (so called under hook weighing). This means of mass measuring is an alternative for loads with non-standard dimensions and shapes and those which create magnetic field. Under hook weighing is also applied for density determination procedures.



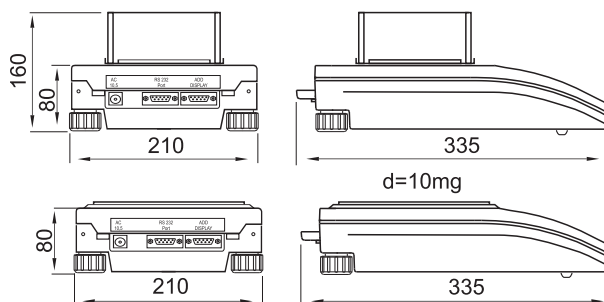
Counting pieces



Density determination



Percentage



Technical data:

	PS 510/C/1/CT PS 510/C/2/CT	PS 2100/C/1/CT PS 2100/C/2/CT
Max capacity	510 g / 2550 ct	2100 g / 10500 ct
Minimal load	0,02 g / 0,1 ct	0,5 g / 2,5 ct
Readability	0,001 g / 0,005 ct	0,01 g / 0,05 ct
Tare range	-510 g / -2550 ct	2100 g / -10500 ct
Repeatability	0,001 g / 0,005 ct	0,01 g / 0,05 ct
Linearity	±0,001 g / 0,005 ct	±0,01 g / 0,05 ct
Pan size	128 × 128 mm	195 × 195 mm
Sensitivity drift	2 ppm/°C in temperature +15 ° - +35 °C	
Working temperature	+15° - +30 °C	
Power supply	230V / 11V AC or 120V / 11V AC	
Display	LCD (backlit)	

Additional equipment:

ANTI-VIBRATION TABLE	LCD ADDITIONAL DISPLAY
"KAFKA" THERMAL PRINTER	EXTERNAL RECHARGEABLE BATTERY PACK
NEEDLE PRINTER "EPSON"	SUITCASE FOR BALANCE
DENSITY DETERMINATION KIT FOR SOLIDS AND LIQUIDS	COMPUTER SOFTWARE: PW-WIN 2005, RAD-KEY 2000, REC-FS 2000
RACK FOR UNDER HOOK WEIGHING	

RADWAG USA L.L.C.

19599 NE 10th Ave., Bay G, • North Miami Beach, FL, 33179 • USA • Tel: 1-305-651-3522 • Fax: 1-305-651-3523 • e-mail: office@radwagusa.com • website: www.radwagusa.com

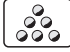



JEWELLERY BALANCES AS

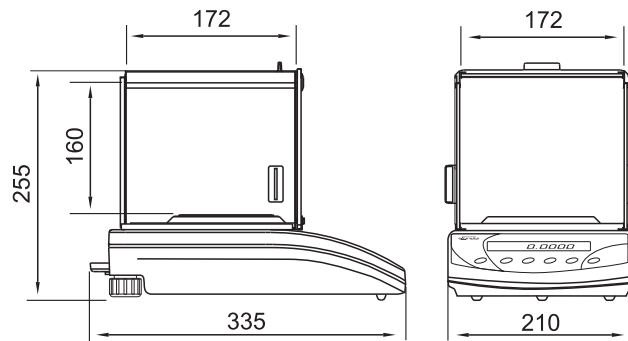


Analytical balances AS series are offered with following capacities: 140 g, 220 g and 320 g with readability of 0,2 mg.

They are equipped with anti breeze draught shield with sliding glass doors and backlit LCD display.

These balances have system of internal automatic calibration (C2 version) activated on time and temperature changes. Balances are equipped with possibility of weighing loads outside the main weighing platform (so called under hook weighing). This means of mass measuring is an alternative for loads with non-standard dimensions and shapes and those which create magnetic field. Under hook weighing is also applied for density determination procedures.

-  Counting pieces
-  Density determination
-  Percentage
-  Summing function



Technical data:

	AS 140/C/1/CT AS 140/C/2/CT *	AS 220/C/1/CT AS 220/C/2/CT *	AS 320/C/1/CT AS 320/C/2/CT
Max capacity	140 g / 700 ct	220 g / 1100 ct	320 g / 1600 ct
Minima load	0,004 g / 0,02 ct	0,004 g / 0,02 ct	0,004 g / 0,02 ct
Readability	0,0002 g / 0,001 ct	0,0002 g / 0,001 ct	0,0002 g / 0,001 ct
Tare range	-140 g / -700 ct	-220 g / -1100 ct	-320 g / -1600 ct
Working temperature	+15° - +30° C		
Reapatability	0,0002 g / 0,001 ct	0,0002 g / 0,001 ct	0,0004 g / 0,002 ct
Linearity	±0,0002 g / 0,001 ct	±0,0002 g / 0,001 ct	±0,0004 g / 0,002 ct
Sensitivity drift	2 ppm/°C in temperature +15° - +35°C		
Power supply	230V / 11V AC or 120V / 11V AC		
Calibration	internal (C2 version) or external (C1 version)		
Pan size	ø 85 mm		

* verified balances

Additional equipment:

ANTI-VIBRATION TABLE	SUITCASE FOR BALANCE
"KAFKA" THERMAL PRINTER	LCD ADDITIONAL DISPLAY
NEEDLE PRINTER "EPSON"	EXTERNAL RECHARGEABLE BATTERY PACK
DENSITY DETERMINATION KIT FOR SOLIDS AND LIQUIDS	COMPUTER SOFTWARE: PW-WIN 2005, RAD-KEY 2000, REC-FS 2000
RACK FOR UNDER HOOK WEIGHING	

RADWAG USA L.L.C.

19599 NE 10th Ave., Bay G, • North Miami Beach, FL, 33179 • USA • Tel: 1-305-651-3522 • Fax: 1-305-651-3523 • e-mail: office@radwagusa.com • website: www.radwagusa.com